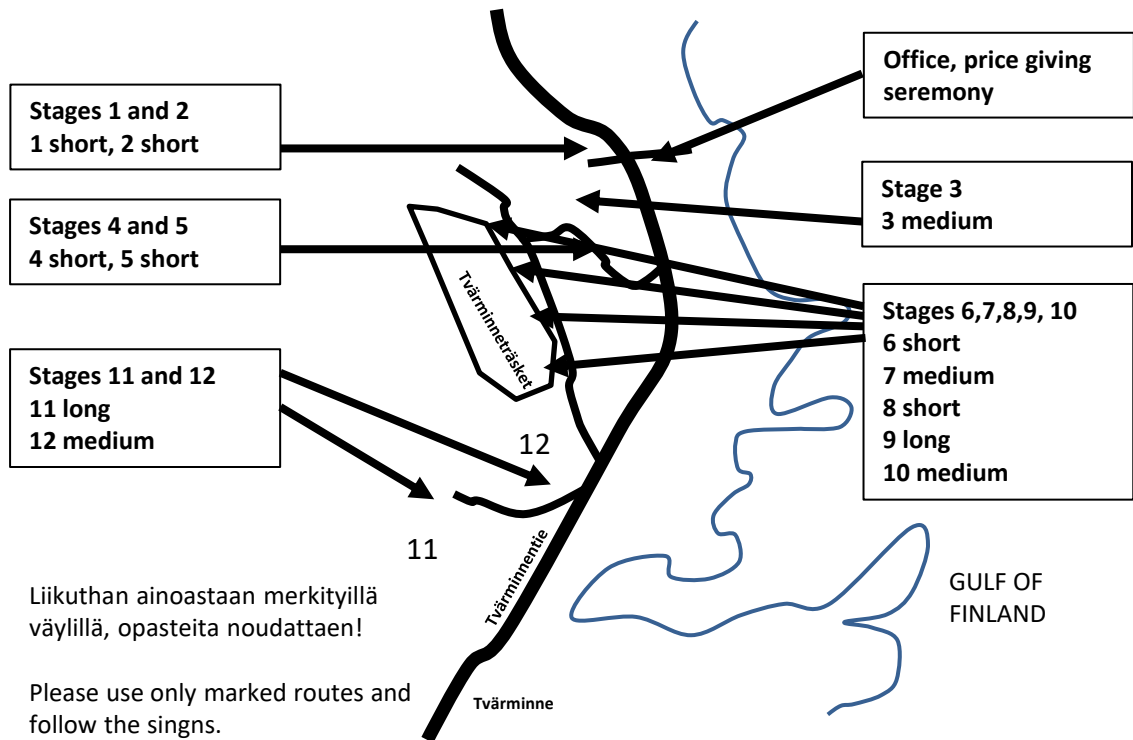




# Porkka PCC SM 2022

## Hanko, Syndalen 13- 14.8.2022



Kilpailun aikataulu on ohjeellinen. Extrasquadit 7,11 ja 19 aloittavat kun edellinen ryhmä on valmis. Kilpailu etenee stageittain numerjärjestyksessä ja squadeja voidaan ammuttaa samaan aikaan. Ruokailu on kilpailutoimiston läheisyydessä ja kilpailijat hakeutuvat omatoimisesti ruokailuun merkityllä aikaikkunalla.

The schedule of the competition is indicative. Extrasquads 7,11 and 19 will start when the previous group is ready. The competition proceeds stage by stage in numerical order and squads can be shot at the same time. Dining is near by competition office and competitors seek self-catering with a marked time window.

	SQ5	SQ6	SQ7	SQ8	SQ9	SQ10	SQ11	SQ12	SQ13	SQ14	SQ15	SQ16	SQ17	SQ18	SQ19
ST1	8:00	15:30	8:15	15:00	14:30	14:00	14:45	13:00	11:30	11:00	10:30	10:00	9:30	9:00	9:45
ST2	8:30	8:00	8:45	15:30	15:00	14:30	15:15	13:30	13:00	12:30	11:00	10:30	10:00	9:30	10:15
ST3	9:00	8:30	9:15	8:00	15:30	15:00	15:45	14:00	13:30	13:00	12:30	11:00	10:30	10:00	10:45
ST4	9:30	9:00	9:45	8:30	8:00	15:30	8:15	14:30	14:00	13:30	13:00	12:30	11:00	10:30	11:15
ST5	10:00	9:30	10:15	9:00	8:30	8:00	8:45	15:00	14:30	14:00	13:30	13:00	12:30	11:00	13:15
ST6	10:30	10:00	10:45	9:30	9:00	8:30	9:15	8:00	15:00	14:30	14:00	13:30	13:00	12:30	13:45
ST7	11:00	10:30	11:15	10:00	9:30	9:00	9:45	8:30	8:00	15:00	14:30	14:00	13:30	13:00	14:15
ST8	13:00	11:00	13:15	10:30	10:00	9:30	10:15	9:00	8:30	8:00	15:00	14:30	14:00	13:30	14:45
ST9	13:30	13:00	13:45	11:00	10:30	10:00	10:45	9:30	9:00	8:30	8:00	15:00	14:30	14:00	15:15
ST10	14:00	13:30	14:15	13:00	11:00	10:30	11:15	10:00	9:30	9:00	8:30	8:00	15:00	14:30	15:45
ST11	14:30	14:00	14:45	13:30	13:00	11:00	13:15	10:30	10:00	9:30	9:00	8:30	8:00	15:00	8:15
ST12	15:00	14:30	15:15	14:00	13:30	13:00	13:45	11:00	10:30	10:00	9:30	9:00	8:30	8:00	8:45



# Porkka PCC SM 2022

Hanko, Syndalen 13- 14.8.2022

Stage 1

**Type of course:** Short course

**Targets (type & number):** 1 IPSC Metal Plate,  
1 IPSC Mini Popper, 4 IPSC Target, 3 N/S

**Minimum number of rounds:** 10

**Maximum points:** 50

**Time starts:** Audible signal

**Distances:** 15-30 meters

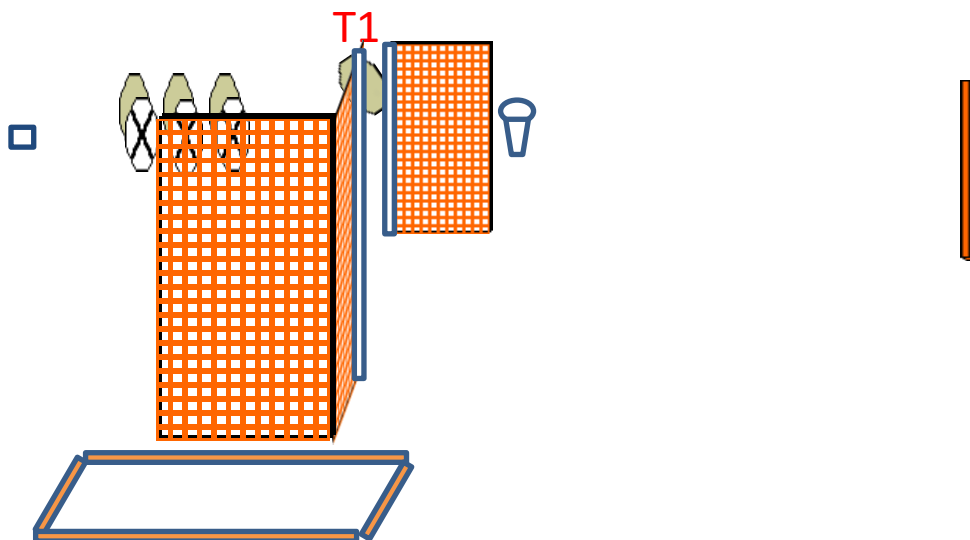
**The rifle ready condition:** Loaded Option 1

**Start position:** Competitor standing erect, with the firearm in the ready condition, held in both hands, stock touching the competitor at hip level, barrel parallel to the ground, trigger guard downwards, muzzle pointing downrange with the fingers outside the trigger guard

**Procedure:** At the start signal engage targets. IPSC Mini Popper activates moving target T1 which remain visible at rest.

**Safe angles of fire:** Left red stick, Right red stick, up and down 90 degrees. A shot over the back wall result to disqualification.

**Note:** White boards are soft cover.





# Porkkka PCC SM 2022

Hanko, Syndalen 13- 14.8.2022

Stage 2

**Type of course:** Short course

**Targets (type & number):** 1 IPSC Metal Plate, 1 IPSC Mini Popper, 5 IPSC Target, 4 N/S

**Minimum number of rounds:** 12

**Maximum points:** 60

**Time starts:** Audible signal

**Distances:** 15-30 meters

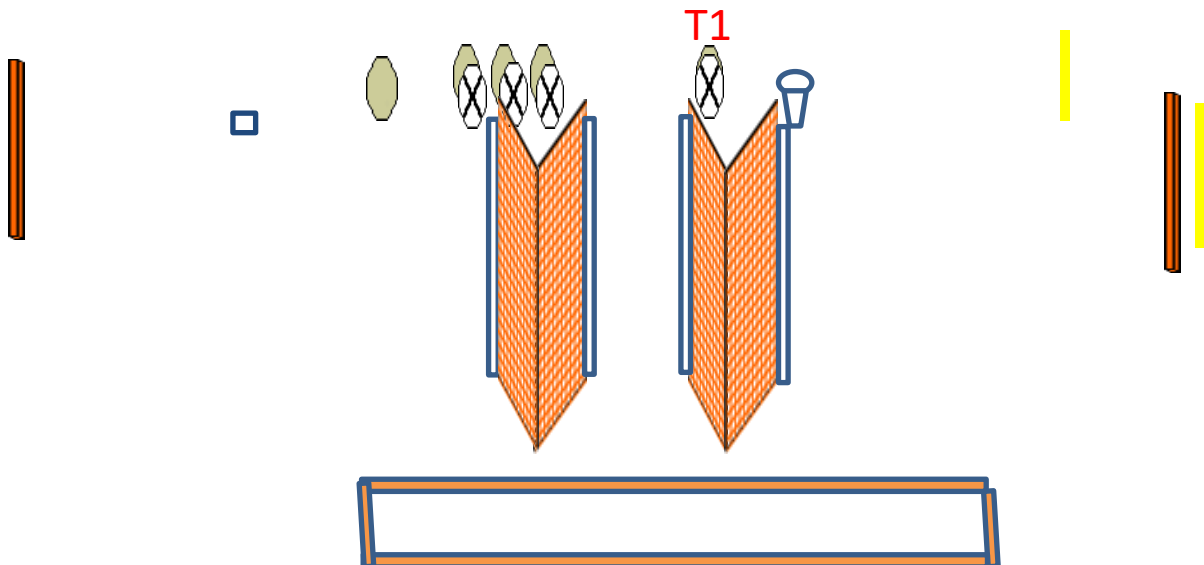
**The rifle ready condition:** Loaded Option 2

**Start position:** Competitor standing erect, with the firearm in the ready condition, held in both hands, stock touching the competitor at hip level, barrel parallel to the ground, trigger guard downwards, muzzle pointing downrange with the fingers outside the trigger guard.

**Procedure:** At the start signal engage targets. IPSC Mini Popper activates up and down moving target T1 which remain visible at rest.

**Safe angles of fire:** Left red stick, Right red stick, up and down 90 degrees. A shot over the back wall result to disqualification. Area between yellow sticks is consired unsafe shooting direction, a shot to this direction (building and the end of back wall) will result disqualification.

**Note:** White boards are soft cover.





**Type of course:** Medium course

**Targets (type & number):** 8 IPSC Target,  
4 IPSC Metal Plate, 6 N/S

**Minimum number of rounds:** 20

**Maximum points:** 100

**Time starts:** Audible signal

**Distances:** 20-50 meters

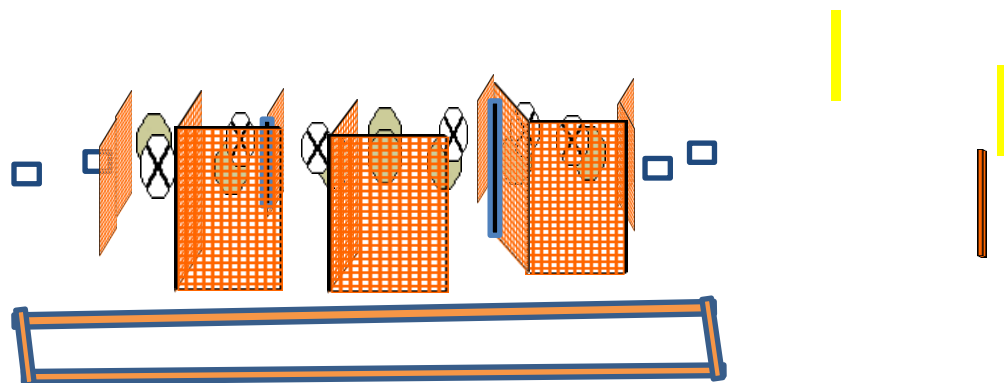
**The rifle ready condition:** Loaded Option 1

**Start position:** Competitor standing erect, with the firearm in the ready condition, held in both hands, stock touching the competitor at hip level, barrel parallel to the ground, trigger guard downwards, muzzle pointing downrange with the fingers outside the trigger guard.

**Procedure:** At the start signal engage targets.

**Safe angles of fire:** Left red stick, Right red stick, up and down 90 degrees. A shot over the back wall result to disqualification. Area between yellow sticks is consired unsafe shooting direction, a shot to this direction (flagpost and the end of back wall) will result disqualification.

**Note:** Black boards are hard cover.



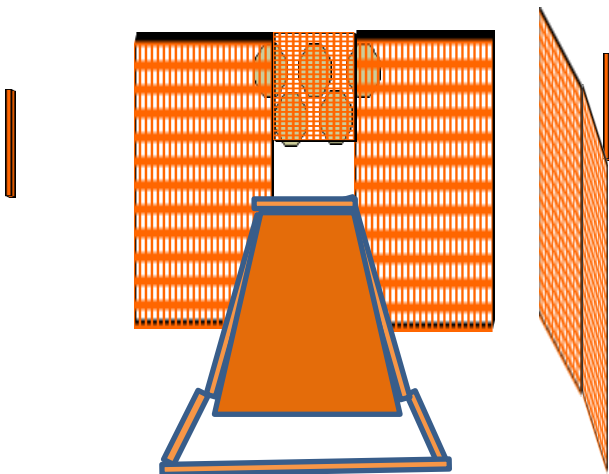


PorkkA PCC SM 2022  
Hanko, Syndalen 13- 14.8.2022

Stage 4

**Type of course:** Short course  
**Targets (type & number):** 5 IPSC Target  
**Minimum number of rounds:** 10  
**Maximum points:** 50  
**Time starts:** Audible signal  
**Distances:** 50-80 meters  
**The rifle ready condition:** Loaded Option 1  
**Start position:** Competitor standing erect, with the firearm in the ready condition, held in both hands, stock touching the competitor at hip level, barrel parallel to the ground, trigger guard downwards, muzzle pointing downrange with the fingers outside the trigger guard.

**Procedure:** At the start signal engage targets.  
**Safe angles of fire:** Left red stick, Right red stick, up and down 90 degrees. A shot over the back wall result to disqualification.





**Type of course:** Short course

**Targets (type & number):** 4 IPSC Target,  
1 IPSC Mini Popper, 1 IPSC Metal Plate

**Minimum number of rounds:** 10

**Maximum points:** 50

**Time starts:** Audible signal

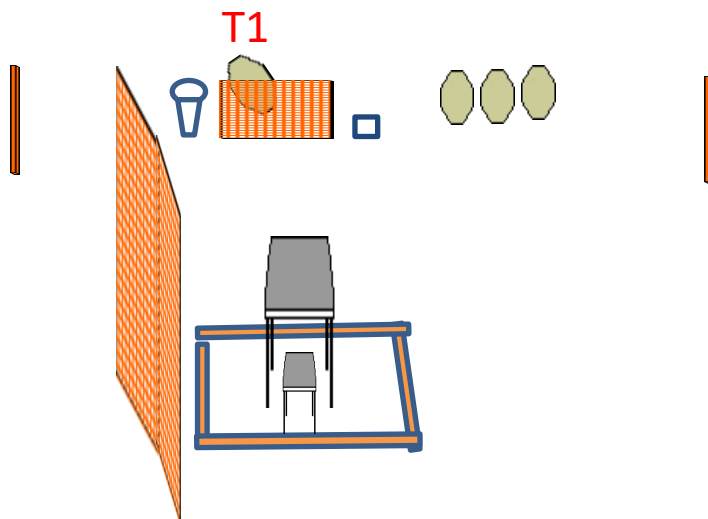
**Distances:** 50-80 meters

**The rifle ready condition:** Unloaded Option 3

**Start position:** Gun and all magazines to be used on the table. Barrel pointing down range. Sitting on a chair and hands touching knees. Range Officers demonstrate.

**Procedure:** At the start signal engage targets. IPSC Mini Popper activates moving target T1 which remain visible at rest.

**Safe angles of fire:** Left red stick, Right red stick, up and down 90 degrees. A shot over the back wall result to disqualification.





**Type of course:** Short course

**Targets (type & number):** 4 IPSC Target,  
2 IPSC Metal Plate, 2 N/S

**Minimum number of rounds:** 10

**Maximum points:** 50

**Time starts:** Audible signal

**Distances:** 10-50 meters

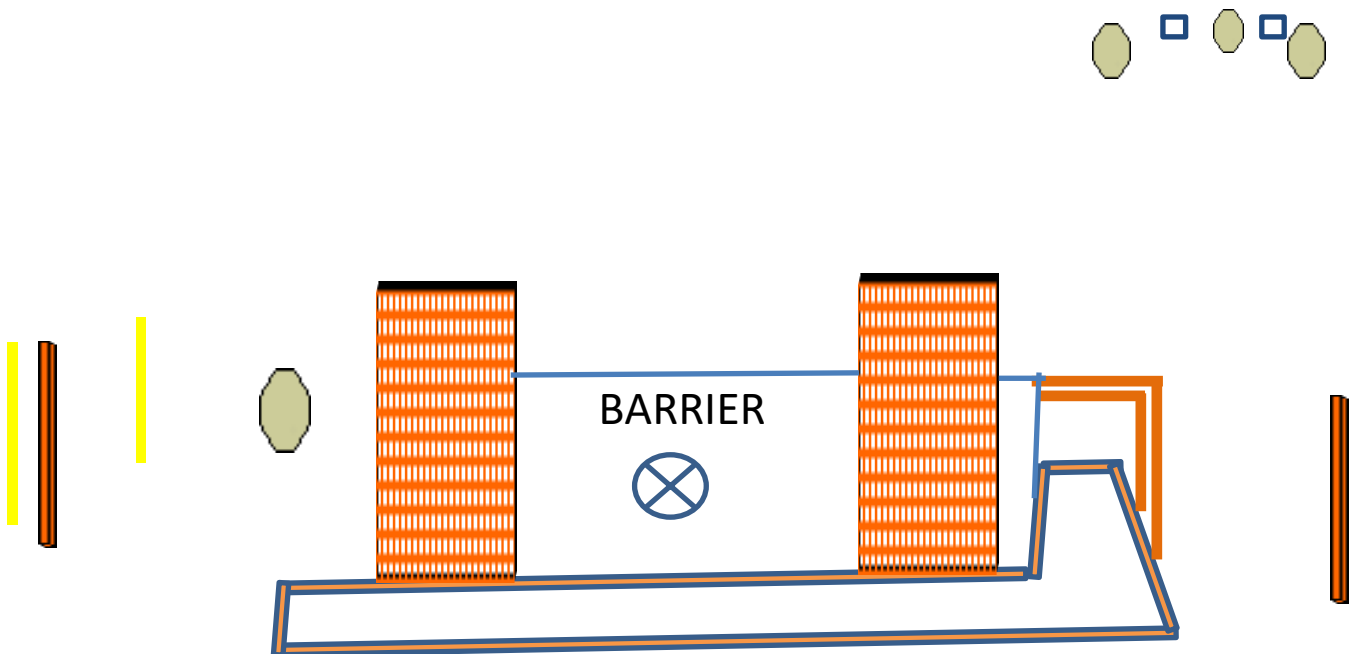
**The rifle ready condition:** Loaded Option 1

**Start position:** Competitor standing erect, with the firearm in the ready condition, held in both hands, stock touching the competitor at hip level, barrel parallel to the ground, trigger guard downwards, muzzle pointing downrange, with the fingers outside the trigger guard. The end of barrel touching the marked place "X".

**Procedure:** At the start signal engage targets.

**Safe angles of fire:** Left red stick, Right red stick, up and down 90 degrees. Area between yellow sticks is considered unsafe shooting direction, a shot to this direction will result disqualification.

**Note:** Cooper tunnel gives one procedural penalty per dropped stick, maximum of 2 penalties.





# Porkkka PCC SM 2022

Hanko, Syndalen 13- 14.8.2022

Stage 7

**Type of course:** Medium course

**Targets (type & number):** 10 IPSC Target, 2 N/S

**Minimum number of rounds:** 20

**Maximum points:** 100

**Time starts:** Audible signal

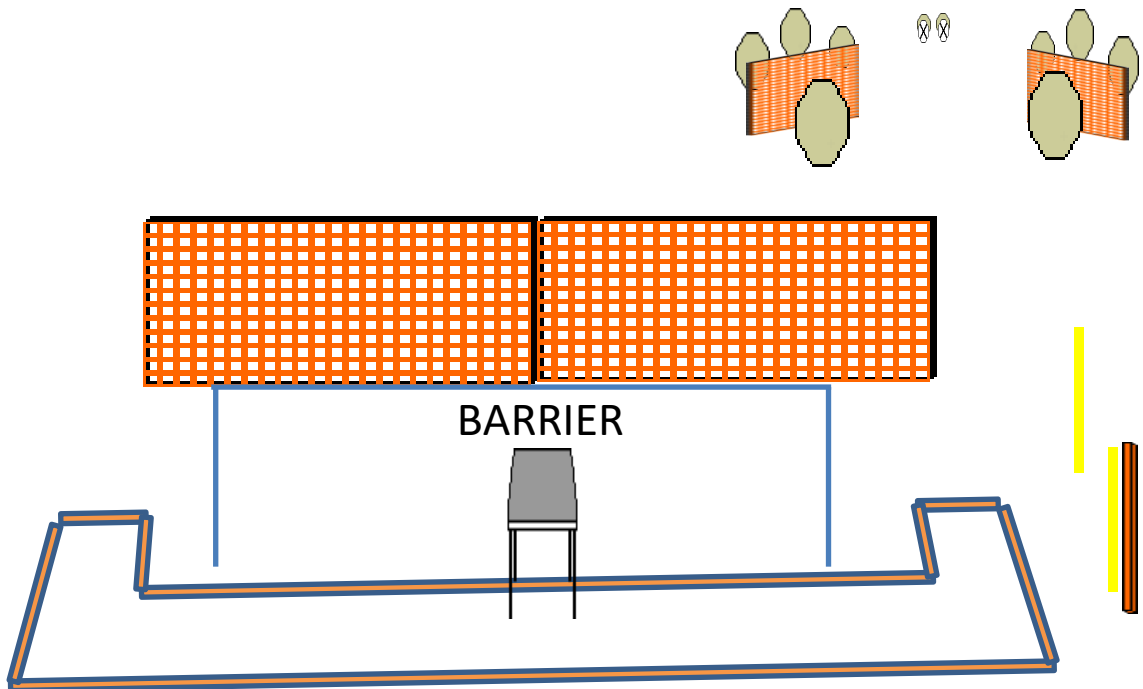
**Distances:** 5-50 meters.

**The rifle ready condition:** Unloaded Option 3

**Start position:** Competitor standing erect, with the firearm in the ready condition, held in both hands, stock touching the competitor at hip level, barrel parallel to the ground, trigger guard downwards, muzzle pointing downrange, with the fingers outside the trigger guard. All magazines to be used on the table.

**Procedure:** At the start signal engage targets.

**Safe angles of fire:** Left red stick, Right red stick, up and down 90 degrees. Area between yellow sticks is consired unsafe shooting direction, a shot to this direction will result disqualification.



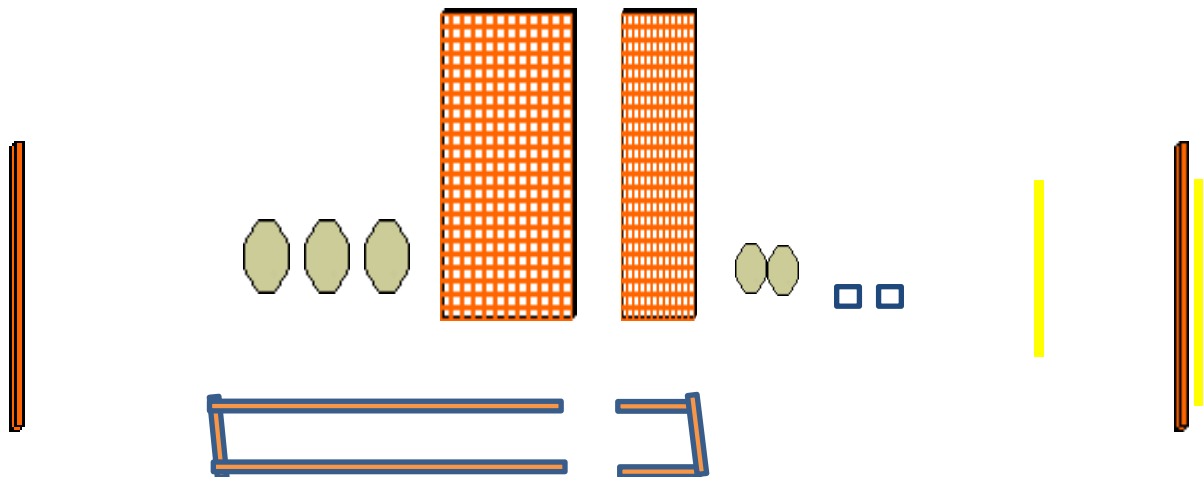




**Type of course:** Short course  
**Targets (type & number):** 5 IPSC Target, 2 IPSC Metal Plate  
**Minimum number of rounds:** 12  
**Maximum points:** 60  
**Time starts:** Audible signal  
**Distances:** 10- 50 meters  
**The rifle ready condition:** Loaded Option 1  
**Start position:** Competitor standing erect, with the firearm in the ready condition, held in both hands, stock touching the competitor at hip level, barrel parallel to the ground, trigger guard downwards, muzzle pointing downrange with the fingers outside the trigger guard.

**Procedure:** At the start signal engage targets.  
**Safe angles of fire:** Left red stick, Right red stick, up and down 90 degrees. Area between yellow sticks is considered unsafe shooting direction, a shot to this direction will result disqualification.  
**Note:** Taking support outside designated area leads 1 procedural penalty per shot.

### NATURE BARRIERS





**Type of course:** Long course

**Targets (type & number):** 16 IPSC Target

**Minimum number of rounds:** 32

**Maximum points:** 160

**Time starts:** Audible signal

**Distances:** 1-80 meters

**The rifle ready condition:** Loaded Option 1

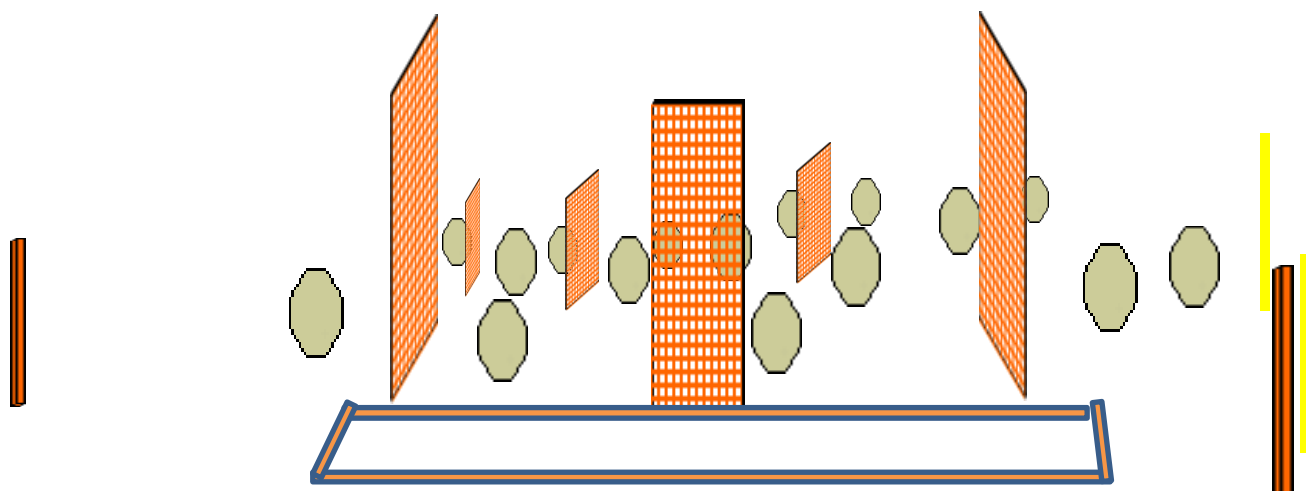
**Start position:** Competitor standing erect, with the firearm in the ready condition, held in both hands, stock touching the competitor at hip level, barrel parallel to the ground, trigger guard downwards, muzzle pointing downrange with the fingers outside the trigger guard.

**Procedure:** At the start signal engage targets.

**Safe angles of fire:** Left red stick, Right red stick, up and down 90 degrees. Area between yellow sticks is considered unsafe shooting direction, a shot to this direction will result disqualification.

**Note:** Taking support outside designated area leads 1 procedural penalty per shot.

## NATURE BARRIERS





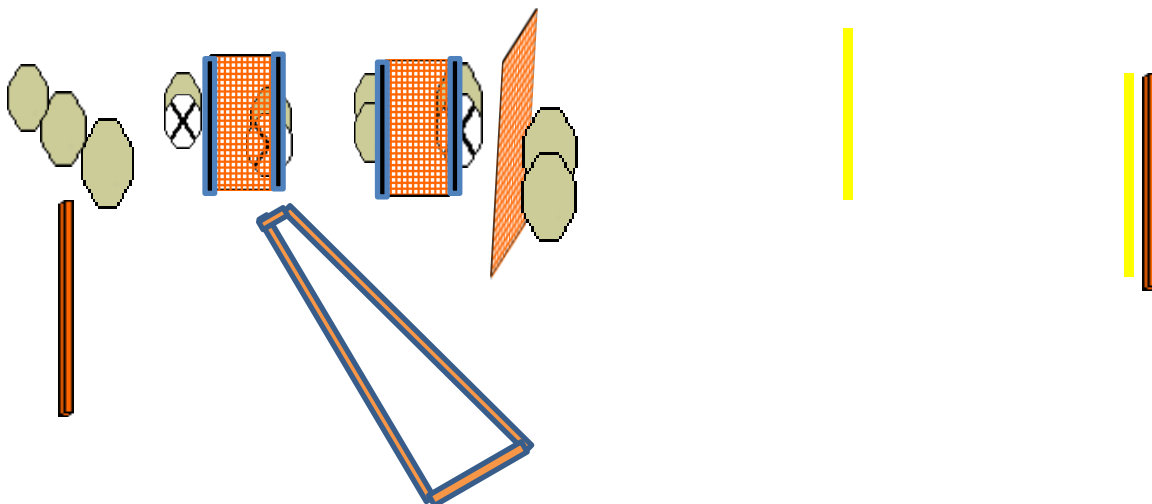
**Type of course:** Medium course  
**Targets (type & number):** 10 IPSC Target, 3 N/S  
**Minimum number of rounds:** 20  
**Maximum points:** 100  
**Time starts:** Audible signal  
**Distances:** 5-40 meters  
**The rifle ready condition:** Loaded Option 1  
**Start position:** Competitor standing erect, with the firearm in the ready condition, held in both hands, stock touching the competitor at hip level, barrel parallel to the ground, trigger guard downwards, muzzle pointing downrange with the fingers outside the trigger guard.

**Procedure:** At the start signal engage targets.

**Safe angles of fire:** Left red stick, Right red stick, up and down 90 degrees. Area between yellow sticks is considered unsafe shooting direction, a shot to this direction will result disqualification.

**Note:** Black boards are hard cover.

### NATURE BARRIERS





**Type of course:** Long course

**Targets (type & number):** 5 IPSC Target,  
10 IPSC Mini Target, 4 IPSC Metal Plate

**Minimum number of rounds:** 34

**Maximum points:** 170

**Time starts:** Audible signal

**Distances:** 5-80 meters

**The rifle ready condition:** Loaded Option 1

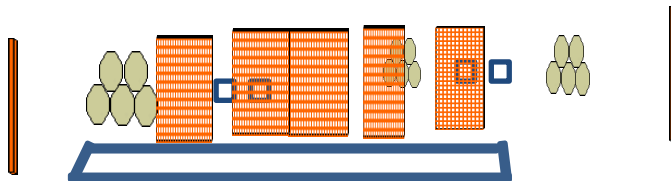
**Start position:** Competitor standing erect, with the firearm in the ready condition, held in both hands, stock touching the competitor at hip level, barrel parallel to the ground, trigger guard downwards, muzzle pointing downrange with the fingers outside the trigger guard.

**Procedure:** At the start signal engage targets.

**Safe angles of fire:** Left red stick, Right red stick, up and down 90 degrees.

**Note:** Taking support outside designated area leads 1 procedural penalty per shot.

## NATURE BARRIERS





**Type of course:** Medium course  
**Targets (type & number):** 12 IPSC Target, 2 N/S  
**Minimum number of rounds:** 24  
**Maximum points:** 120  
**Time starts:** Audible signal  
**Distances:** 5- 50 meters  
**The rifle ready condition:** Loaded Option 1  
**Start position:** Competitor standing erect, with the firearm in the ready condition, held in both hands, stock touching the competitor at hip level, barrel parallel to the ground, trigger guard downwards, muzzle pointing downrange with the fingers outside the trigger guard.

**Procedure:** At the start signal engage targets.

**Safe angles of fire:** Left red stick, Right red stick, up and down 90 degrees. Area between yellow sticks is considered unsafe shooting direction, a shot to this direction will result disqualification.

## NATURE BARRIERS

